



## SMD Quartz Crystal - SMD 5032 - 4 Pads

**4 Pad Version - 5.0 x 3.2 x 0.9mm**

### • Features

- Small size
- Tight tolerance and Stability
- RoHS compliant

### • General Specification

Type	SMD 5.0 x 3.2 - 4 Pads
Frequency Range	10.000MHz to 50.000MHz
Frequency Tolerance at 25°C	± 30ppm *
Frequency Stability	± 30ppm *
Operating Temperature	-10°C to +60°C *
Load Capacitance	8pF to 32pF / Series
Shunt Capacitance	7pF max *
Storage Temperature	-40°C to +85°C *
Drive Level	100µW *
Aging	± 5ppm max first year *

\* Can be changed according to Customer's requirement.

### • Drive Level Codes (µW)

A = 100	B = 200	D = 50	E = 300	G = 500	I = 10
---------	---------	--------	---------	---------	--------

### • Load Capacitance Codes

12pF = A	12.5pF = B	14pF = C	16pF = D	17pF = E	18pF = F
20pF = G	25pF = H	30pF = I	32pF = J	33pF = K	Series = L
13pF = M	27pF = N	50pF = O	10pF = P	15pF = Q	22pF = R
15.8pF = S	8.5pF = T	8.2pF = U	40pF = V	9pF = W	11pF = X
13.8pF = Y	19.6pF = Z	6pF = a	7pF = d	8pF = e	19pF = f

### • Operating Temperature Codes(°C)

A = -10 to +60	B = -20 to +70	C = -10 to +70	I = -40 to +85	X = -30 to +80	W = -10 to +50
----------------	----------------	----------------	----------------	----------------	----------------

Pls contact us for the parameters you could not find in these tables.

## SMD Quartz Crystal - SMD 5032 - 4 Pads

### • Frequency Tolerance & Frequency Stability Codes (ppm)

P = $\pm 10$	S = $\pm 20$	T = $\pm 30$	U = $\pm 50$	V = $\pm 100$	W = $\pm 5$
--------------	--------------	--------------	--------------	---------------	-------------

### • Frequency Stability vs. Operating Temperature

	$\pm 10\text{ppm}$	$\pm 20\text{ppm}$	$\pm 30\text{ppm}$	$\pm 50\text{ppm}$	$\pm 100\text{ppm}$
-10°C- +60°C	⊙	⊙	●	⊙	⊙
-10°C- +70°C	⊙	⊙	●	⊙	⊙
-20°C- +70°C	⊙	⊙	●	●	⊙
-40°C- +85°C			⊙	●	⊙

⊙ Available      ● Standard

### • ESR (Series Resistance Rs) vs Standard Frequency, Vibration Mode & Codes

Frequency Range (MHz)	ESR Max ( $\Omega$ )	Code	Vibration Mode	Code
10.000 - 13.999	80	0	AT Fund	A
14.000 - 19.999	60	1	AT Fund	A
20.000 - 29.999	50	2	AT Fund	A
30.000 - 50.000	40	4	AT Fund	A

### • Marking

**Frequency + M (MHz) + Date code ( Year Code + Month Code )**

**NEWXTAL (Company Brand)**

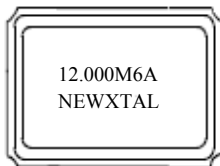
Year Code:

2001	2002	2003	2004	2005	2006	2007	2008	2009	2010	2011	2012
1	2	3	4	5	6	7	8	9	10	11	12

Month Code:

Jan	Feb.	Mar	April	May	June	July	Aug.	Sept	Oct	Nov	Dec
A	B	C	D	E	F	G	H	I	J	K	L

**For Example:**



NEWXTAL - New Crystal World

Website: [www.newxtal.com](http://www.newxtal.com)

Email: [hkcrystal@incnets.com](mailto:hkcrystal@incnets.com)

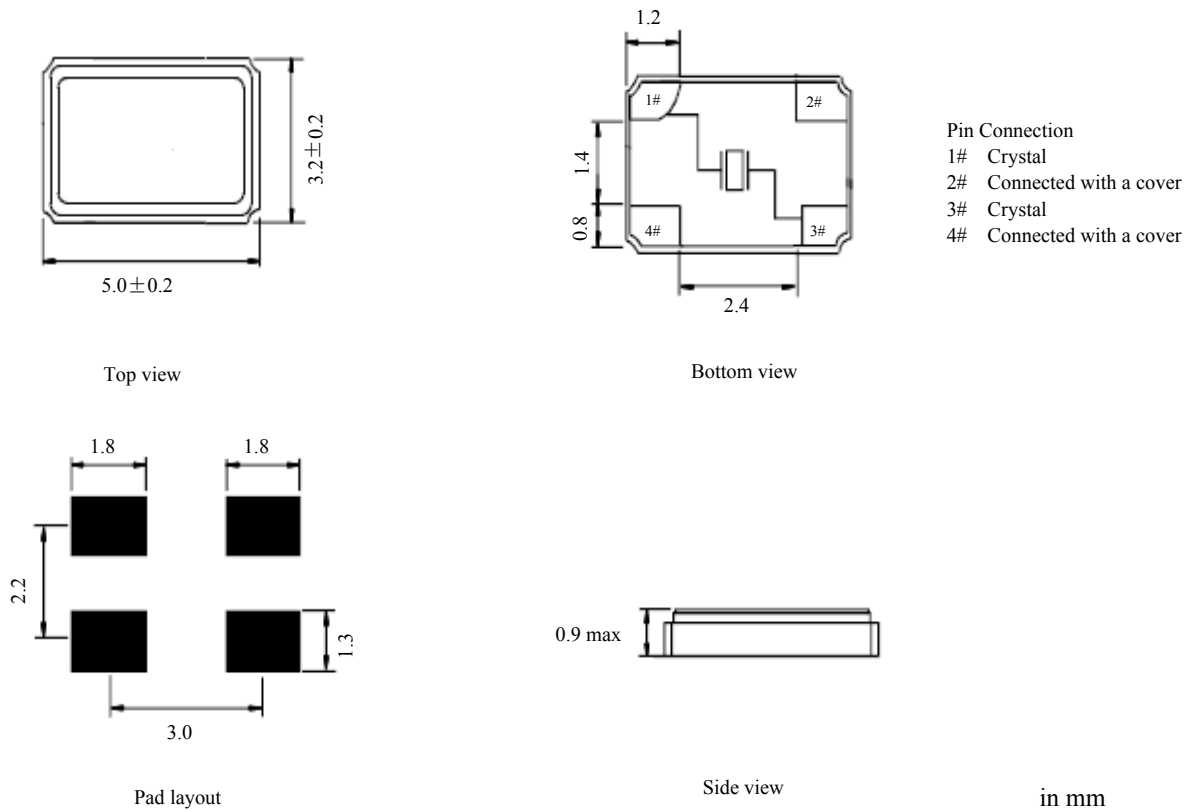
# SMD Quartz Crystal - SMD 5032 - 4 Pads

## Ordering Information

SMD	Terminal	Size	Drive Level ( $\mu$ W)	Load Capacitance (pF)	Operating Temperature ( $^{\circ}$ C)	Frequency Tolerance (ppm)	Frequency Stability (ppm)	ESR ( $\Omega$ )	Vibration Mode	Frequency (MHz)	Lead-free	Packing	
SMD Crystal	0=2 Pads 1=4 Pads	C=5.0x3.2	See Tables								xx.xxxM	LF	TR
			100	16	-10 to +60	$\pm$ 10	$\pm$ 10	80	AT Fund		Lead-free	Tape & reel	
<b>S</b>	<b>1</b>	<b>C</b>	<b>A</b>	<b>D</b>	<b>A</b>	<b>P</b>	<b>P</b>	<b>0</b>	<b>A</b>		<b>LF</b>	<b>TR</b>	

**For Example: S1CADAPP0A-12.000MLF/TR**

## Dimensions



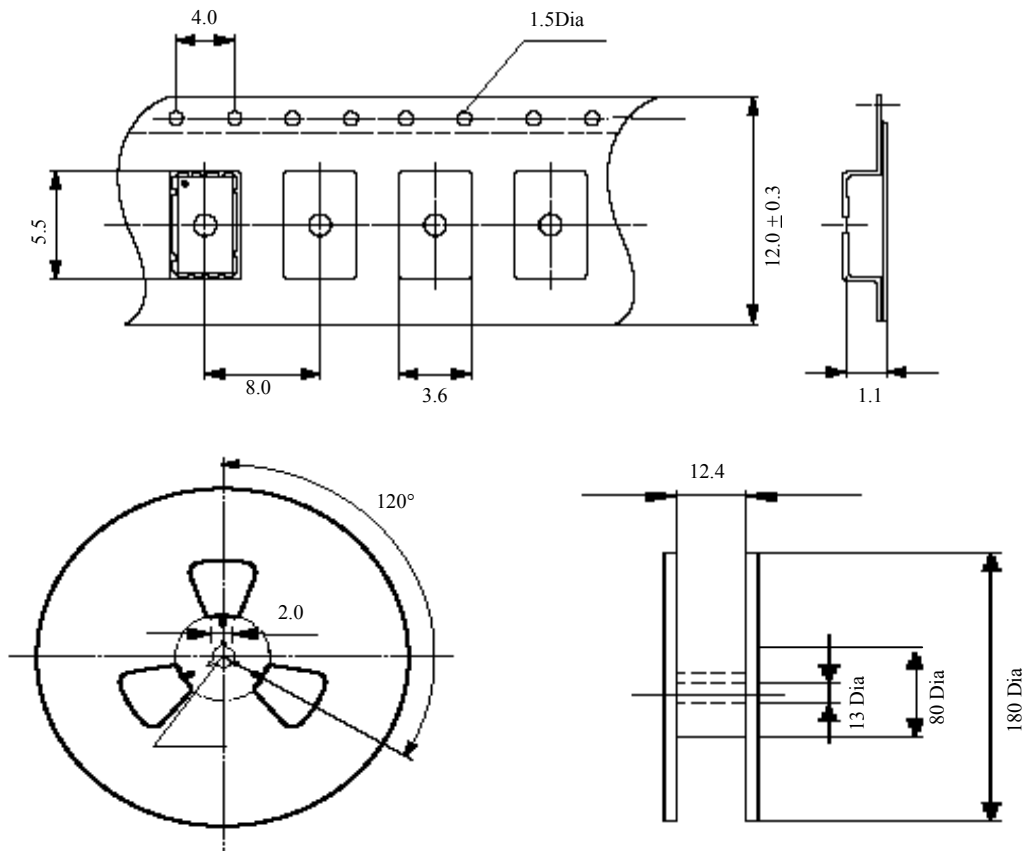
NEWXTAL - New Crystal World

Website: [www.newxtal.com](http://www.newxtal.com)

Email: [hkcrystal@incnets.com](mailto:hkcrystal@incnets.com)

# SMD Quartz Crystal - SMD 5032 - 4 Pads

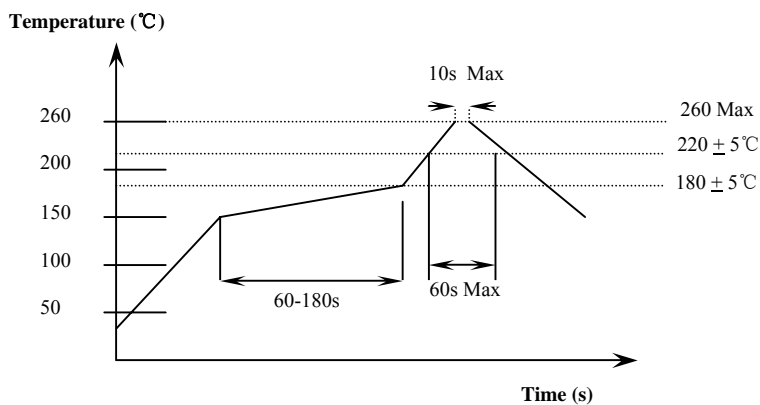
## • Taping Specification



\* Reel Quantity: 1,000pcs

in mm

## • Reflow Soldering Profile



NEWXTAL - New Crystal World

Website: [www.newxtal.com](http://www.newxtal.com)

Email: [hkcrystal@incnets.com](mailto:hkcrystal@incnets.com)