



SMD Quartz Crystal - SMD 7050 - 2 Pads

2 Pad Version - 7.0 x 5.0 x 1.3mm

• Features

- Small size
- Tight tolerance and Stability
- RoHS compliant

• General Specification

Type	SMD 7.0 x 5.0 - 2 Pads
Frequency Range	6.000MHz to 150.000MHz
Frequency Tolerance at 25°C	± 30ppm *
Frequency Stability	± 30ppm *
Operating Temperature	-10°C to +60°C *
Load Capacitance	8pF to 32pF / Series
Shunt Capacitance	7pF max *
Storage Temperature	-40°C to +85°C *
Drive Level	100µW *
Aging	± 5ppm max first year *

* Can be changed according to Customer's requirement.

• Drive Level Codes (µW)

A = 100	B = 200	D = 50	E = 300	G = 500	I = 10
---------	---------	--------	---------	---------	--------

• Load Capacitance Codes

12pF = A	12.5pF = B	14pF = C	16pF = D	17pF = E	18pF = F
20pF = G	25pF = H	30pF = I	32pF = J	33pF = K	Series = L
13pF = M	27pF = N	50pF = O	10pF = P	15pF = Q	22pF = R
15.8pF = S	8.5pF = T	8.2pF = U	40pF = V	9pF = W	11pF = X
13.8pF = Y	19.6pF = Z	6pF = a	7pF = d	8pF = e	19pF = f

• Operating Temperature Codes(°C)

A = -10 to +60	B = -20 to +70	C = -10 to +70	I = -40 to +85	X = -30 to +80	W = -10 to +50
----------------	----------------	----------------	----------------	----------------	----------------

Pls contact us for the parameters you could not find in these tables.

SMD Quartz Crystal - SMD 7050 - 2 Pads

• Frequency Tolerance & Frequency Stability Codes (ppm)

P = ± 10	S = ± 20	T = ± 30	U = ± 50	V = ± 100	W = ± 5
--------------	--------------	--------------	--------------	---------------	-------------

• Frequency Stability vs. Operating Temperature

	$\pm 10\text{ppm}$	$\pm 20\text{ppm}$	$\pm 30\text{ppm}$	$\pm 50\text{ppm}$	$\pm 100\text{ppm}$
-10°C- +60°C	⊙	⊙	●	⊙	⊙
-10°C- +70°C	⊙	⊙	●	⊙	⊙
-20°C- +70°C	⊙	⊙	●	●	⊙
-40°C- +85°C			⊙	●	⊙

⊙ Available ● Standard

• ESR (Series Resistance Rs) vs Standard Frequency, Vibration Mode & Codes

Frequency Range (MHz)	ESR Max (Ω)	Code	Vibration Mode	Code
6.0000 - 8.000	100	0	AT Fund	A
8.0001 - 9.999	80	0	AT Fund	A
10.000 - 13.999	60	1	AT Fund	A
14.000 - 24.999	50	2	AT Fund	A
25.000 - 40.000	40	4	AT Fund	A
24.000 - 150.00	on request		3rd OT	a3

• Marking

Frequency + M (MHz) + Date code (Year Code + Month Code)

NEWXTAL (Company Brand)

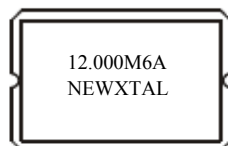
Year Code:

2001	2002	2003	2004	2005	2006	2007	2008	2009	2010	2011	2012
1	2	3	4	5	6	7	8	9	10	11	12

Month Code:

Jan	Feb.	Mar	April	May	June	July	Aug.	Sept	Oct	Nov	Dec
A	B	C	D	E	F	G	H	I	J	K	L

For Example:



NEWXTAL - New Crystal World

Website: www.newxtal.com

Email: hkcrystal@incnets.com

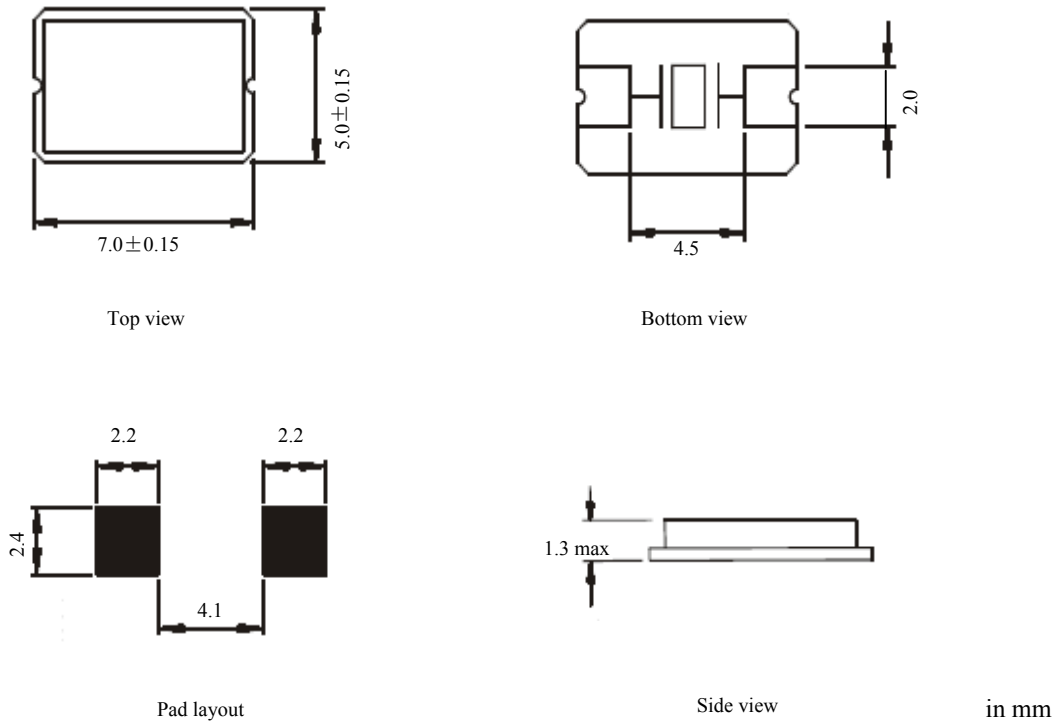
SMD Quartz Crystal - SMD 7050 - 2 Pads

Ordering Information

SMD	Terminal	Size	Drive Level	Load Capacitance	Operating Temperature	Frequency Tolerance	Frequency Stability	ESR	Vibration Mode	Frequency	Lead-free	Packing	
			(μ W)	(pF)	($^{\circ}$ C)	(ppm)	(ppm)	(Ω)		(MHz)			
SMD Crystal	0=2 Pads 1=4 Pads	A=7.0x5.0	See Tables								xx.xxxM	LF	TR
			100	16	-10 to +60	± 10	± 10	60	AT Fund		Lead-free	Tape & reel	
S	0	A	A	D	A	P	P	1	A		LF	TR	

For Example: **S0AADAPP1A-12.000MLF/TR**

Dimensions



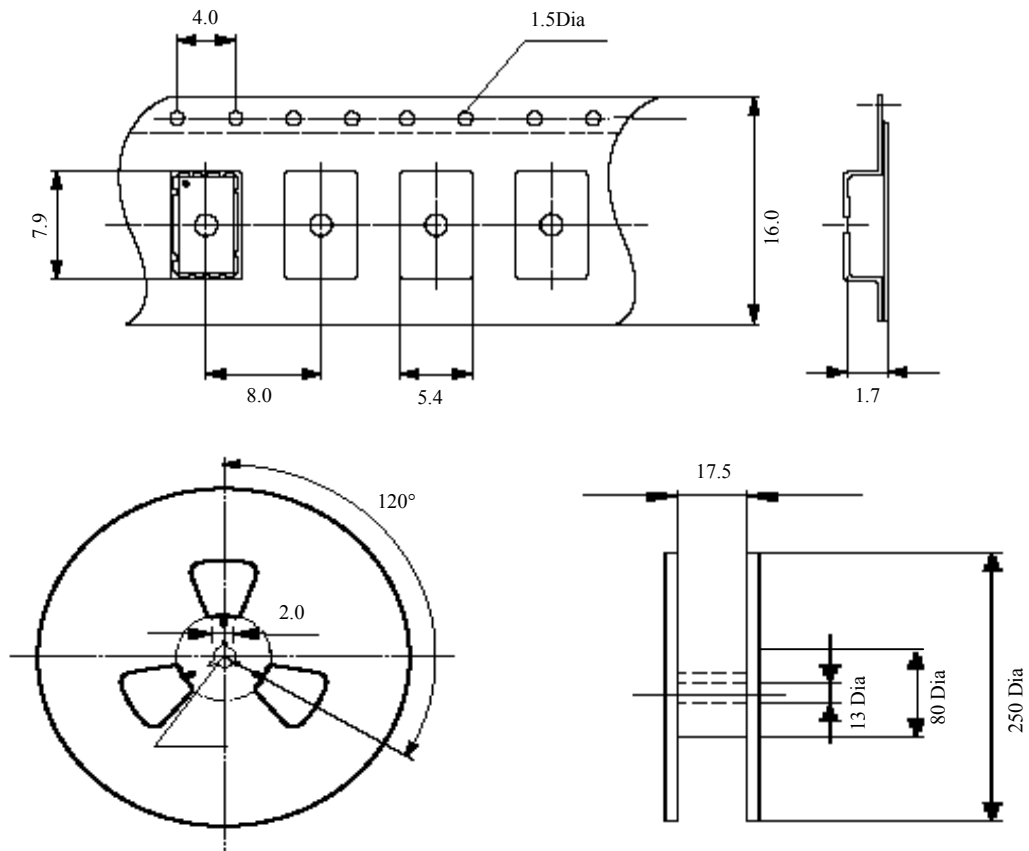
NEWXTAL - New Crystal World

Website: www.newxtal.com

Email: hkcrystal@incnets.com

SMD Quartz Crystal - SMD 7050 - 2 Pads

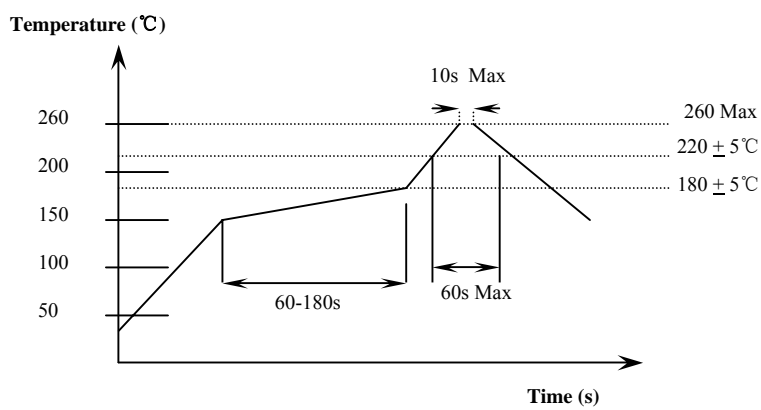
• Taping Specifications



* Reel Quantity: 1,000pcs

in mm

• Reflow Soldering Profile



NEWXTAL - New Crystal World

Website: www.newxtal.com

Email: hkcrystal@incnets.com