



Ceramic Resonator - CRACV and CRTCV

SMD Version - 3.7 x 3.1 x 1.2

• Features

- Low cost & wide applications
- Industrial standard
- RoHS compliant

• General Specification

Type	CRACV/MT	CRACV/MX	CRTCV/MT	CRTCV/MX
	2pins, no built-in capacitor		3pins, with built-in capacitor	
Frequency Range	8.00 to 13.00MHz	13.01 to 33.86MHz	8.00 to 13.00MHz	13.01 to 33.86MHz
Frequency Stability at 25°C	0.50%		±0.5%	
Frequency Stability vs Temperature Range	±0.4%	±0.3%	±0.4%	±0.3%
Operating Temperature Range	-20°C to +80°C		-20°C to +80°C	
Storage Temperature Range	-35°C to +85°C		-35°C to +85°C	
Series Resistance ESR	25Ω	40Ω	25Ω	40Ω
Operating Voltage	5V		5V	
Aging for 10 years	±0.3%		±0.3%	
Built-in Capacitor (C1, C2)	No		Yes	

• Holder and Type Codes

CR = Ceramic Resonator	A = 2pins, no built-in capacitor	T = 3pins, with built-in capacitor
------------------------	----------------------------------	------------------------------------

• Lead Type Code

CV = SMD, 3.7 x 3.1 x 1.2

• Vibration Mode Codes

G = Thickness Shear	T = Thickness Expander	X = Thickness Expander (3rd OT)
---------------------	------------------------	---------------------------------

• Frequency Stability vs Temperature Codes

1 = ±0.1%	2 = ±0.2%	3 = ±0.3%	5 = ±0.5%
-----------	-----------	-----------	-----------

• Loading Capacitance Codes (pF)

1 = 5	2 = 6	3 = 15	4 = 22
5 = 30	6 = 47	8 = 100	

Ceramic Resonator - CRACV and CRTCV

• Marking

Frequency + M (MHz)

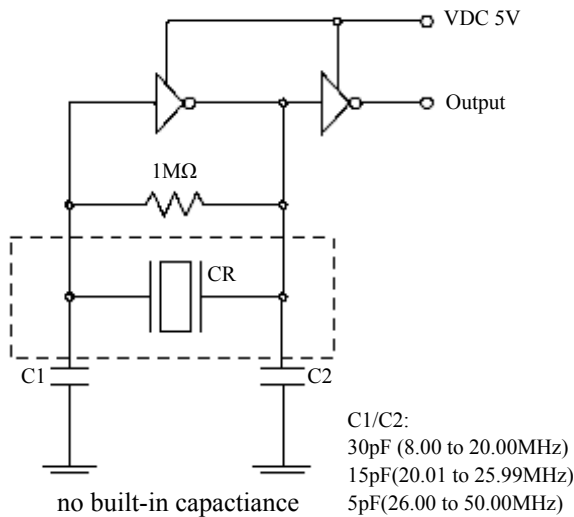
• Ordering Information

Holder	Type	Lead Type	Frequency	Vibration Mode	Frequency Stability vs Temp	Load Capacitance	Packing
			(MHz)			(pF)	
See Tables			xx.xxxM	See Tables			TR=tape & reel
	A=2pins, no built-in				+0.3%	30	
CR	A	CV		T	3	5	TR

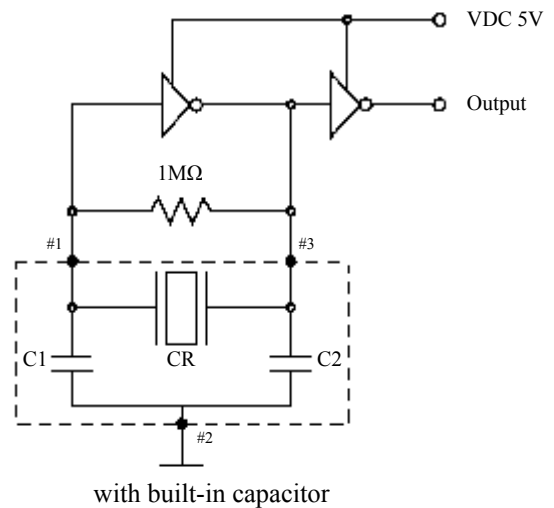
For Example: CRACV8.000MT35/TR

• Test Circuit

1. CRACV

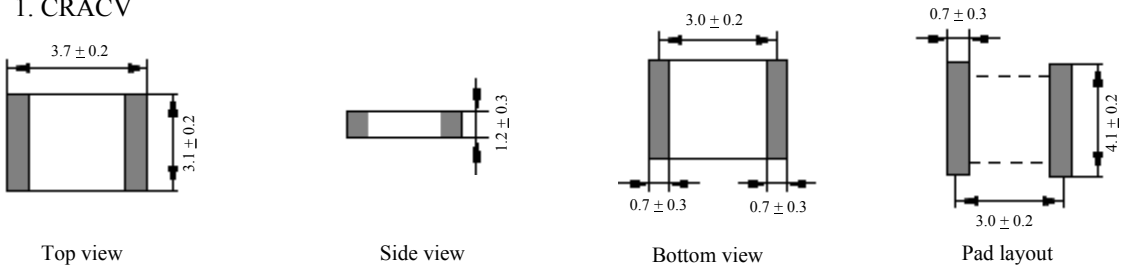


2. CRTCV

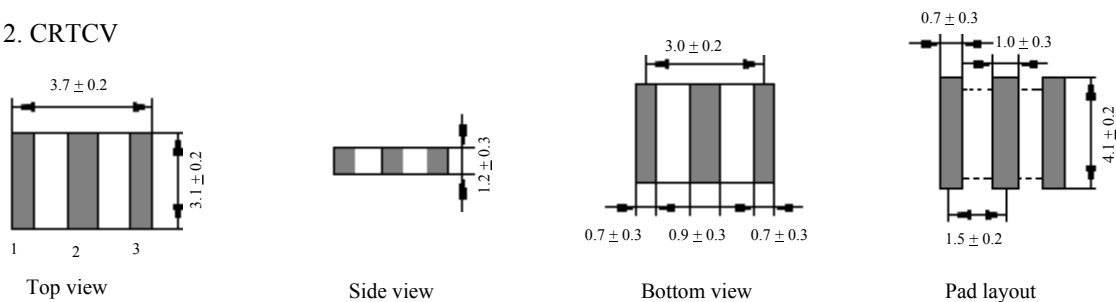


• Dimensions

1. CRACV



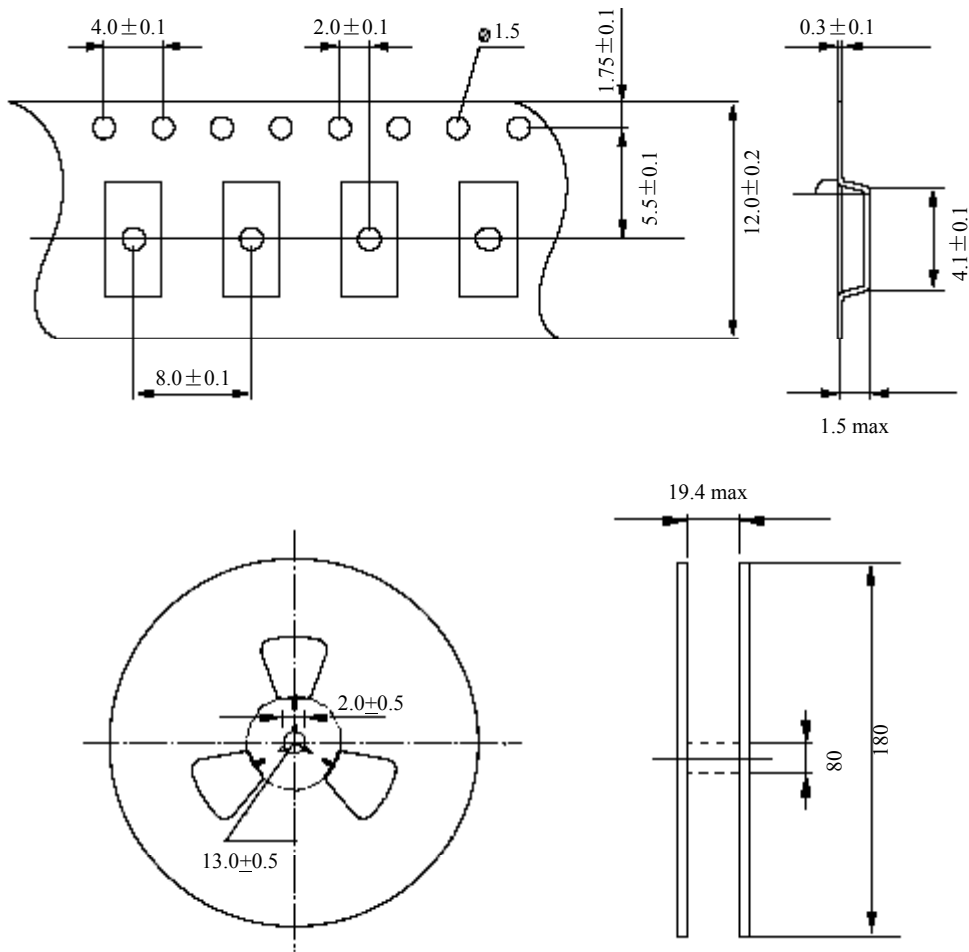
2. CRTCV



in mm

Ceramic Resonator - CRACV and CRTCV

Tape & Reel Specification



* Reel Quantity: 1,000pcs

in mm

Reflow Soldering Profile

