



## SMD Ceramic Filter - LTCA/CV 10.7M Series

### SMD Version - 7.0 x 3.0 x 1.5

#### • Features

Low cost

High performance

#### • General Specification

Part Number	3dB Bandwidth	20dB Bandwidth	Insertion Loss	Spurious Attenuation (9 - 12M)	Input/Output Impedance
	(kHz)	(kHz) max	(dB) max	(dB) max	( $\Omega$ )
LTCA10.7MJ	150 $\pm$ 40	430	10	30	330
LTCA10.7MA5	280 $\pm$ 50	650	6	30	330
LTCA10.7MS2	230 $\pm$ 50	600	6	30	330
LTCA10.7MS3	180 $\pm$ 40	520	6	30	330
LTCV10.7MJ	150 $\pm$ 40	380	5.5 $\pm$ 2.0	35	330
LTCV10.7MA5	280 $\pm$ 50	590	3.0 $\pm$ 2.0	35	330
LTCV10.7MS2	230 $\pm$ 50	510	3.5 $\pm$ 2.0	35	330
LTCV10.7MS3	180 $\pm$ 40	470	4.0 $\pm$ 2.0	35	330

Operating temperature range: -20 to +80 °C

Storage temperature range: -40 to +85 °C

#### • Marking

Part number

#### • Ordering Information

Part number

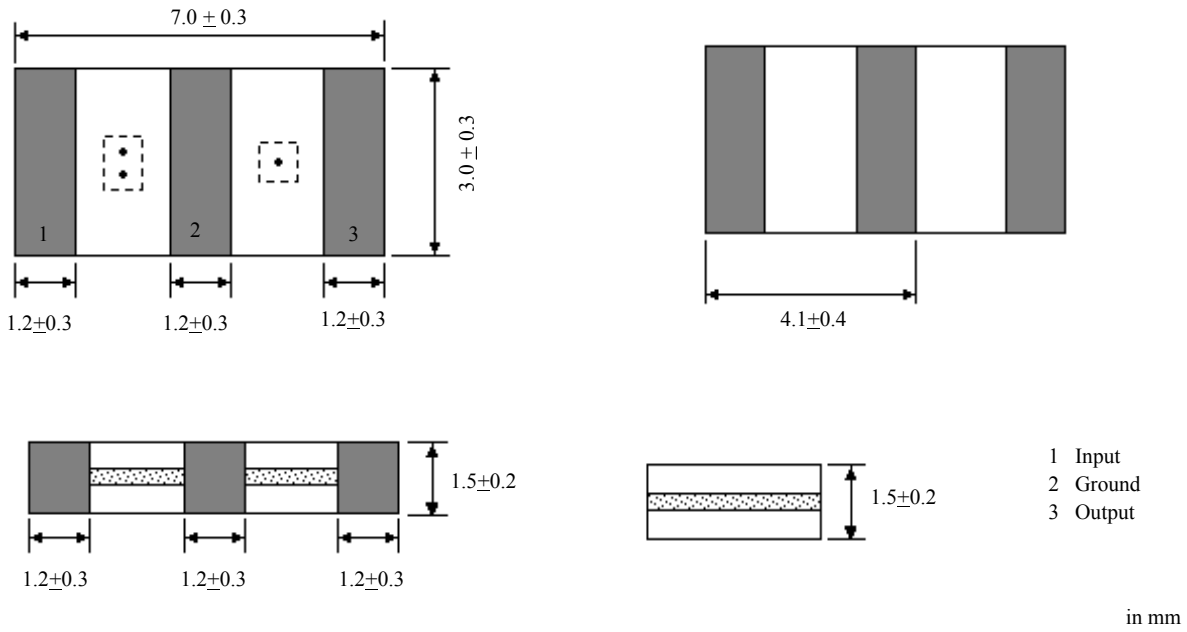
NEWXTAL - New Crystal World

Website: [www.newxtal.com](http://www.newxtal.com)

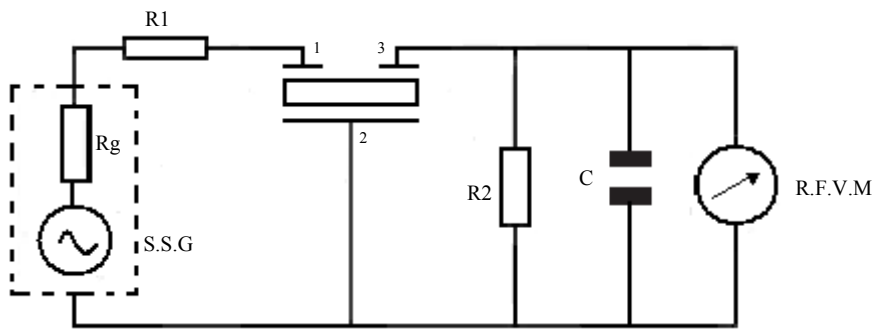
Email: [hkcrystal@incnets.com](mailto:hkcrystal@incnets.com)

# SMD Ceramic Filter - LTCA/CV 10.7M Series

## • Dimensions



## • Test Circuit



$R_g + R_1 = R_2 = \text{Input/Output Impedance}$   
 $C = 10\text{pF}$