



## Ceramic Filter - LTW 455/450 Series

Pin Type - 7.0 x 11.0 x 8.0

### • Features

Low cost

High performance

### • General Specification

Part Number		Center Frequency	Insertion Loss	Passband Ripple	6dB Bandwidth	50dB Bandwidth	Spurious Attenuation $f_0 \pm 100\text{kHz}$	Input/Output Impedance
		(fo)(kHz)	(dB)max	(dB)max	(kHz)min	(kHz)min	(dB) min	( $\Omega$ )
LT455AW	LT450AW	455 $\pm$ 1.5	4	2	$\pm$ 17.5	$\pm$ 35	40	1000
LT455BW	LT450BW	455 $\pm$ 1.5	4	2	$\pm$ 15.0	$\pm$ 30	40	1500
LT455CW	LT450CW	455 $\pm$ 1.5	4	2	$\pm$ 12.5	$\pm$ 25	40	1500
LT455DW	LT450DW	455 $\pm$ 1.5	4	2	$\pm$ 10.0	$\pm$ 20	40	1500
LT455EW	LT450EW	455 $\pm$ 1.5	4	2	$\pm$ 7.5	$\pm$ 15	40	1500
LT455FW	LT450FW	455 $\pm$ 1.5	6	2	$\pm$ 6.0	$\pm$ 12	40	2000
LT455GW	LT450GW	455 $\pm$ 1.5	6	2	$\pm$ 4.5	$\pm$ 10	40	2000
LT455HW	LT450HW	455 $\pm$ 1.5	6	2	$\pm$ 3.0	$\pm$ 9.0	40	2000
LT455IW	LT450IW	455 $\pm$ 1.5	6	2	$\pm$ 2.0	$\pm$ 7.5	60	2000
LT455HTW	LT450HTW	455 $\pm$ 1.6	6	2	$\pm$ 3.0	$\pm$ 9	60	2000

Operating temperature range: -20 to +80 °C

Storage temperature range: -40 to +85 °C

### • Marking

Part number

### • Ordering Information

Part number

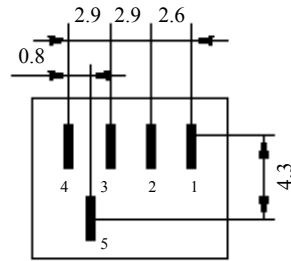
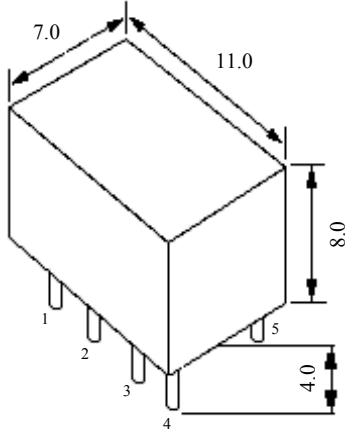
NEWXTAL - New Crystal World

Website: [www.newxtal.com](http://www.newxtal.com)

Email: [hkcrystal@incnets.com](mailto:hkcrystal@incnets.com)

# Ceramic Filter - LTW 455/450 Series

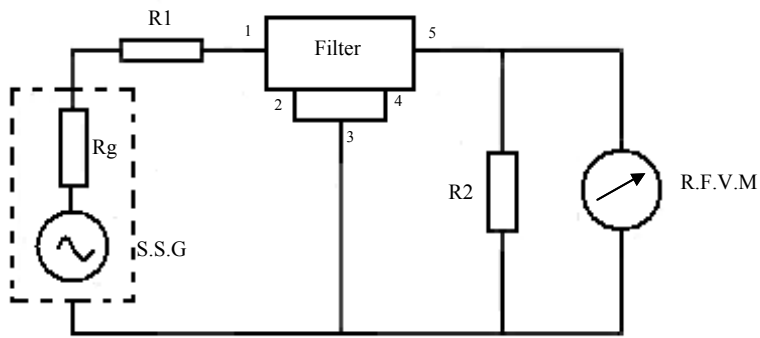
## • Dimensions



- 1. Input
- 2. Ground
- 3. Ground
- 4. Ground
- 5. Output

in mm

## • Test Circuit



$$R_g + R_1 = R_2 = \text{Input/Output Impedance}$$