



Ceramic Filter - LTCU 455/450 Series

Pin Type - 6.0 x 7.5 x 4.0

• Features

Low cost

High performance

• General Specification

Part Number		Center Frequency	Insertion Loss	Passband Ripple	6dB Bandwidth	40dB Bandwidth	Spurious Attenuation $f_0 \pm 100\text{kHz}$	Input/Output Impedance
		(fo)(kHz)	(dB)max	(dB)max	(kHz)min	(kHz)min	(dB) min	(Ω)
LTC455BU	LTC450BU	455 \pm 1.5	4	2	\pm 15.0	\pm 30	27	1500
LTC455CU	LTC450CU	455 \pm 1.5	4	2	\pm 12.5	\pm 25	27	1500
LTC455DU	LTC450DU	455 \pm 1.5	4	2	\pm 10.0	\pm 20	27	1500
LTC455EU	LTC450EU	455 \pm 1.5	6	2	\pm 7.5	\pm 15	27	1500
LTC455FU	LTC450FU	455 \pm 1.5	6	2	\pm 6.0	\pm 12	27	2000
LTC455GU	LTC450GU	455 \pm 1.5	6	2	\pm 4.5	\pm 10	25	2000
LTC455HU	LTC450HU	455 \pm 1.5	6	2	\pm 3.0	\pm 9.0	25	2000
LTC455IU	LTC450IU	455 \pm 1.5	6	2	\pm 2.0	\pm 7.5	25	2000

Operating temperature range: -20 to +80 °C

Storage temperature range: -40 to +85 °C

• Marking

Part number

• Ordering Information

Part number

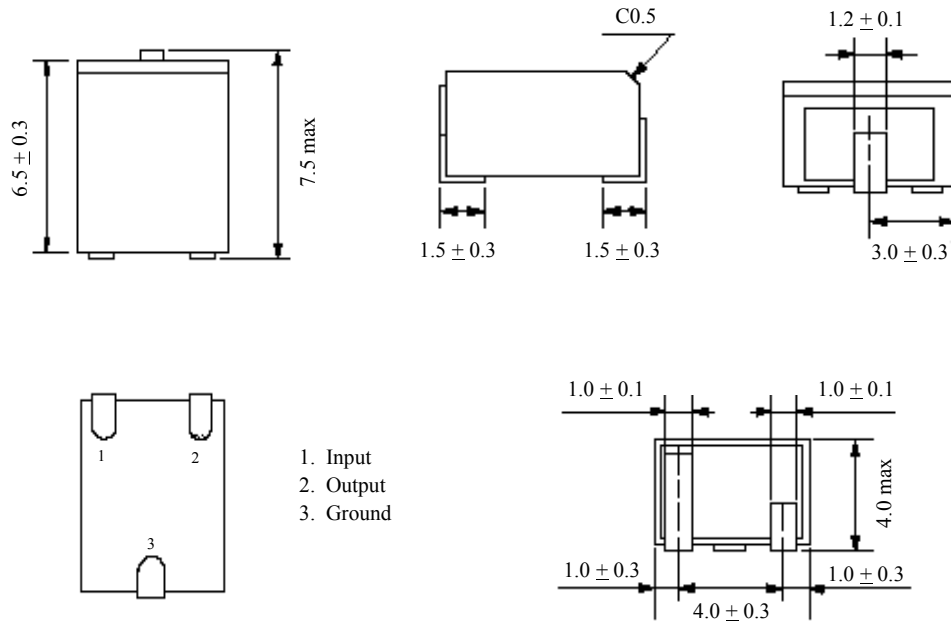
NEWXTAL - New Crystal World

Website: www.newxtal.com

Email: hkcrystal@incnets.com

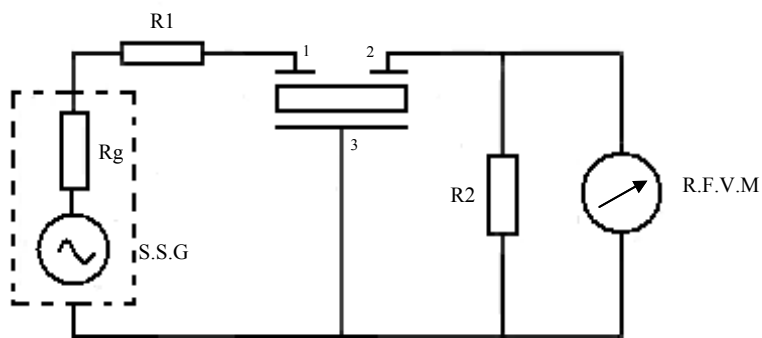
SMD Ceramic Filter - LTCU 455/450 Series

• Dimensions



in mm

• Test Circuit



$$R_g + R_1 = R_2 = \text{Input/Output Impedance}$$